

A modern, bright interior space with large windows, a glass dining table, and a white sofa. The room features a high ceiling, a stone pillar, and a large potted plant. The floor is made of light-colored tiles. The overall atmosphere is clean, minimalist, and airy.

Windows

Design Better

Series 600 Window Wall

What's in a name? Everything. The Series 600 Window Wall replaces exterior barriers with expanses of glass that let in light and frame beautiful views. Completely customizable, a limitless array of openings – from single-panel to door-size to openings that span an entire wall – allow you to create views from various sizes and shapes of glass. And because the Series 600 is designed to integrate with various ventilating window styles as well as our hinged and sliding doors, it's flexible as well as functional.



Seamless Integration

The Series 600 Window Wall's versatile 4.5" deep framing system allows our Series 900 Hinged Doors, Series 600 Sliding Glass Doors, and Series 670 hinged windows to directly mull to any combination of windows, creating a clean, smooth appearance.

Clean Design

The mulling process for the Series 600 Window Wall combines window frames while keeping sightlines narrow, resulting in a clean, contemporary look that can be replicated through an entire wall of glass.

Classic or Thermally Broken Aluminum

Classic aluminum provides effortless operation, versatility, and a clean aesthetic. Our thermally broken option provides the same functionality, but with an insulating barrier that increases energy performance in colder climates.

Configurations and Sizes

Featuring countless extrusion styles, the Series 600 Window Wall can be designed to nearly any configuration and size. Standalone units are tested to 50 DP. For larger expanses, steel can be added when mulling for increased strength. Fixed windows can be built to nearly any geometric configuration, including arches, circles, and polygons. The Series 600 Window Wall is designed to integrate with various ventilating window styles as well as our hinged and sliding doors.

Climate Ready Glass

Our dual-paned low-E glass can be customized in a variety of types, colors, and thicknesses for improved privacy, protection, and thermal efficiency.

Tested for Durability

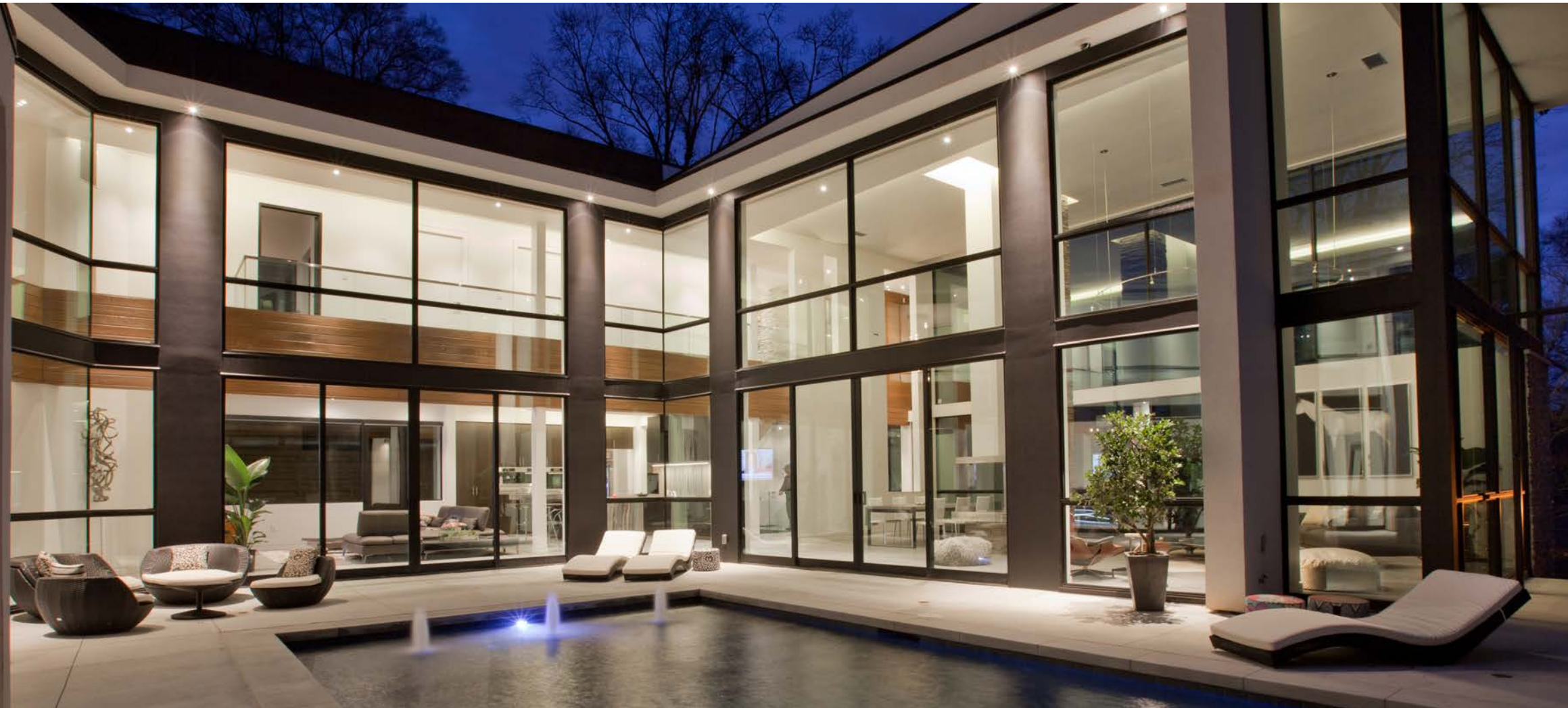
Fixed Series 600 windows mounted in the structure on all four sides achieve a performance grade of CW-PG50 at sizes up to 60" x 120." (CW-PG50 includes a design pressure of 50 pounds per square foot, the equivalent of 140 mph winds).



Steel Support

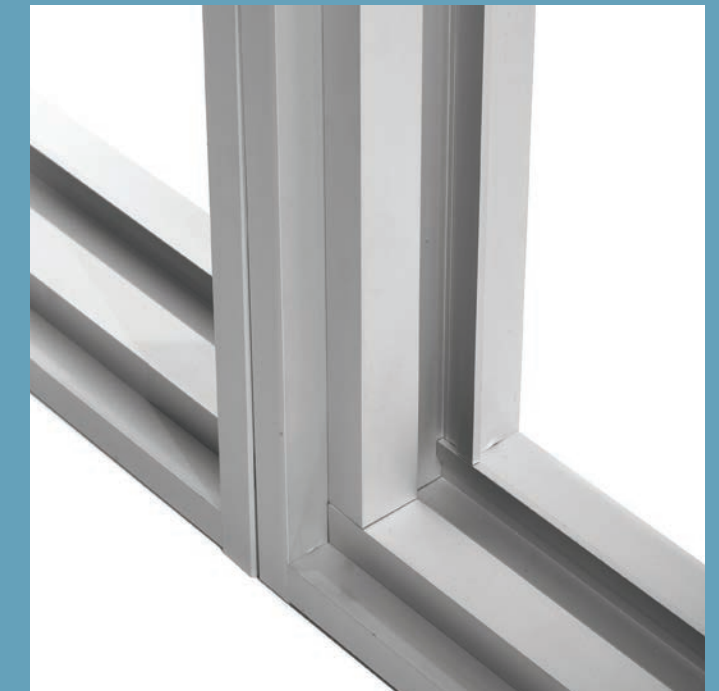
Steel support reinforces the cavity of the mull on its window walls with steel for additional strength, support, and wind resistance.

Options: Series 600 Window Wall



Finishes

Aluminum finishes are available in-stock, as designer selections, and can be customized to match nearly any color. For approximate finish options, see page 122. For exact paint swatch samples, contact us.



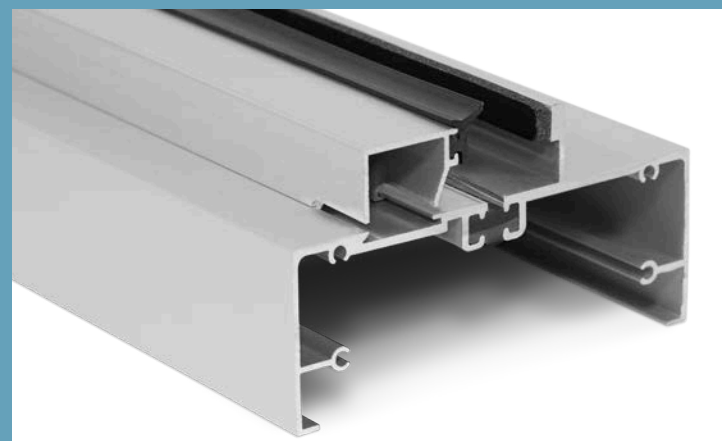
Even Sight Lines

When mullered together, the Series 600 offers a narrow, three-inch sight line from glass to glass for a more balanced and symmetrical appearance.



Standard Base Sill

The standard base sill for the Series 600 Window Wall is 0.75" tall and is used around the perimeter of all Series 600 fixed windows.



High Base Sill

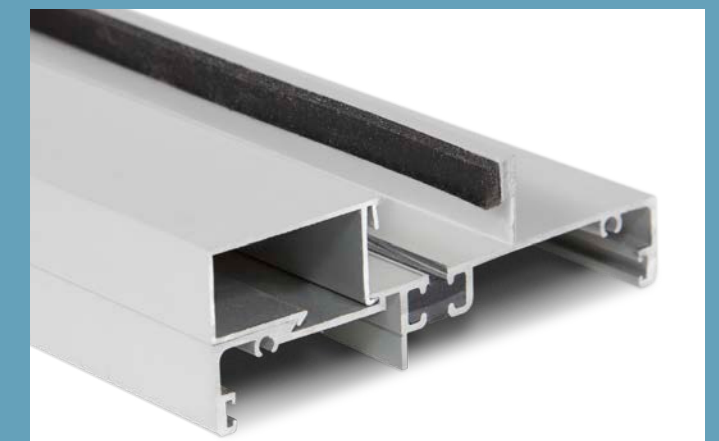
Perfect for fixed windows that will sit directly on a finished floor, the high base sill is 1.75" tall.

Note: For additional protection against the elements, the perimeter of the Series 600 Window Wall is available with an extruded nail fin located 1" from the exterior.



Standard Stop

The standard stop for the Series 600 Window Wall features a classic stepped profile with removable stops for re-glazes and weep holes at the base. Available in multiple dimensions, it can accommodate glass sizes from 0.25" to 1" overall.



Flush Stop

Even with the exterior of the frame and with weep holes at the base, the flush stop provides the look of a typical storefront. Used exclusively in conjunction with 1" overall glass.